

Scaled data based on original data using
LM-79-08 Approved Method: Electrical and Photometric Measurements of Solid-State
Lighting Products

Test Report Prepared for
Cooper Lighting Solutions
(formerly Eaton)

Brand: STREETWORKS

Report Number: P571713

Luminaire Tested: **UFLD-S-CA1-50-760-U-66-TS2LW_NFFLD**

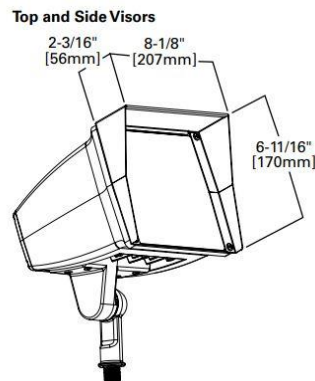
Issue Date: 9/21/2021

Test Information

Test Method: LM-79-08
Report Number: P571713
TEST IS SCALED FROM IESNA LM-79-08 TEST DATA (G2-2109-378-6)
Test Lab: COOPER LIGHTING SOLUTIONS
Issue Date: 9/21/2021
Manufacturer: COOPER LIGHTING SOLUTIONS (FORMERLY EATON)
Product Line: STREETWORKS
Catalog Number: UFLD-S-CA1-50-760-U-66-TS2LW_NFFLD
Description: FLOOD LIGHT SMALL, 6x6 OPTIC WITH TOP AND SIDE VISOR
Light Source: (1) 5700K CCT, 70 CRI LEDS
Ballast/Driver: -

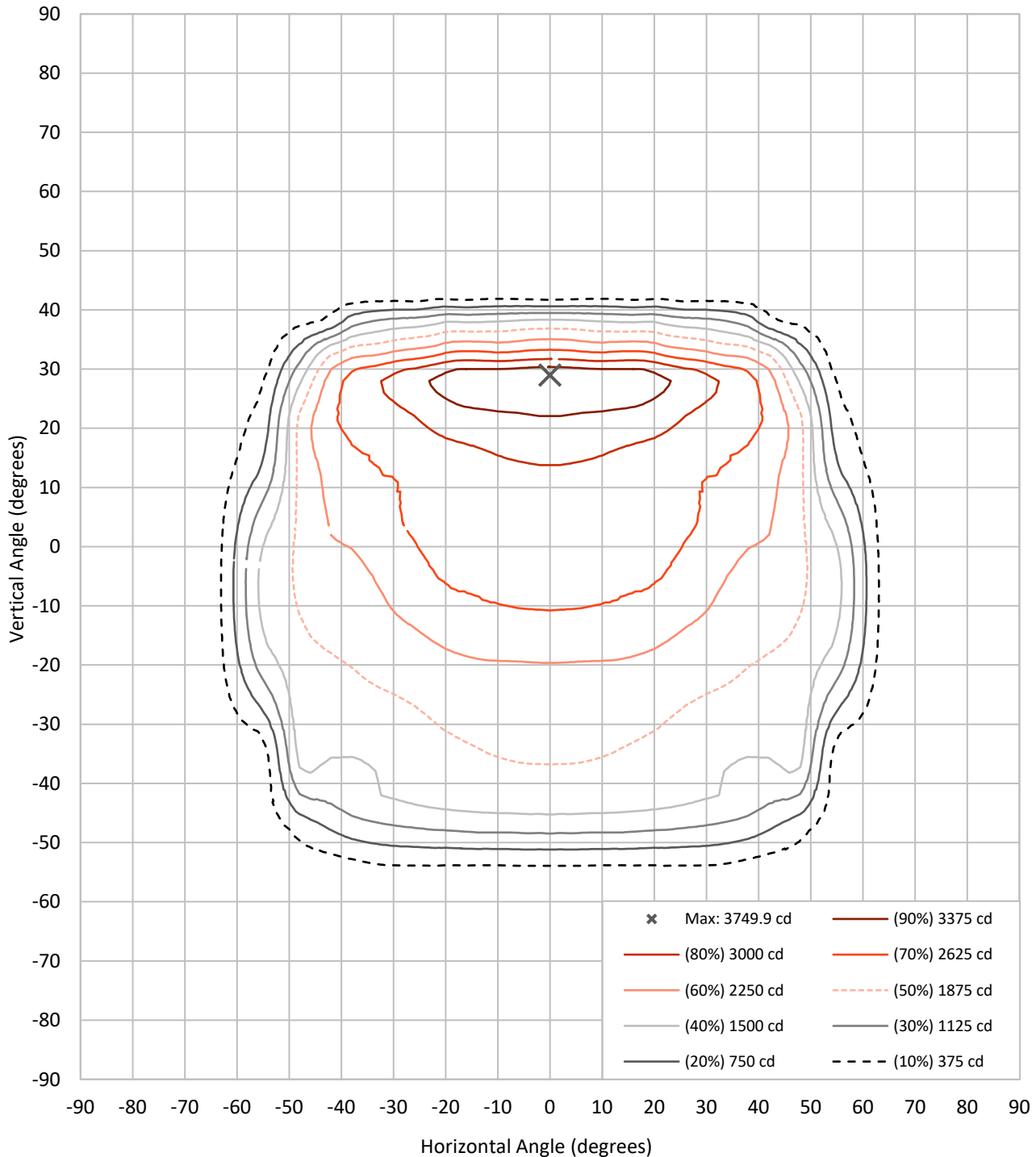
Summary

| | | | |
|-----------------------------------|---|----------------------|------------------|
| Lumens per Lamp: | N/A | NEMA Type: | 6H x 5V |
| Luminaire Lumens: | 5846 lumens | Max Intensity: | 3749.9 candela |
| Efficiency: | N/A | Max Intensity Angle: | 0°H x 29°V |
| Efficacy: | 117.9 lumens/watt | | |
| Luminous Opening: | Rectangular (W 0.67' x L: 0.5' x H: 0') | | |
| Beam Angle (50%): | 90.2°H x 73.7°V | Field Angle (10%): | 108.6°H x 95.6°V |
| Beam Lumens: | 4224.3 lumens | Field Lumens: | 5688.1 lumens |
| Beam Efficiency: | 72.3% | Field Efficiency: | 97.3% |
| Input Watts (W): | 49.6 | | |
| Input Voltage (V): | 120 | | |
| Input Current (Ain): | NR | | |
| Voltage Rise (V): | NR | | |
| Power Factor: | NR | | |
| Total Harmonic Distortion (THDi): | NR | | |
| Frequency (hertz): | 60 | | |
| Stabilization Time: | NR | | |
| Operation Time: | NR | | |
| Ambient Temperature (°C): | NR | | |
| Test Distance: | 25 FT | | |



REPORT NUMBER: P571713
CATALOG NUMBER: UFLD-S-CA1-50-760-U-66-TS2LW_NFFLD

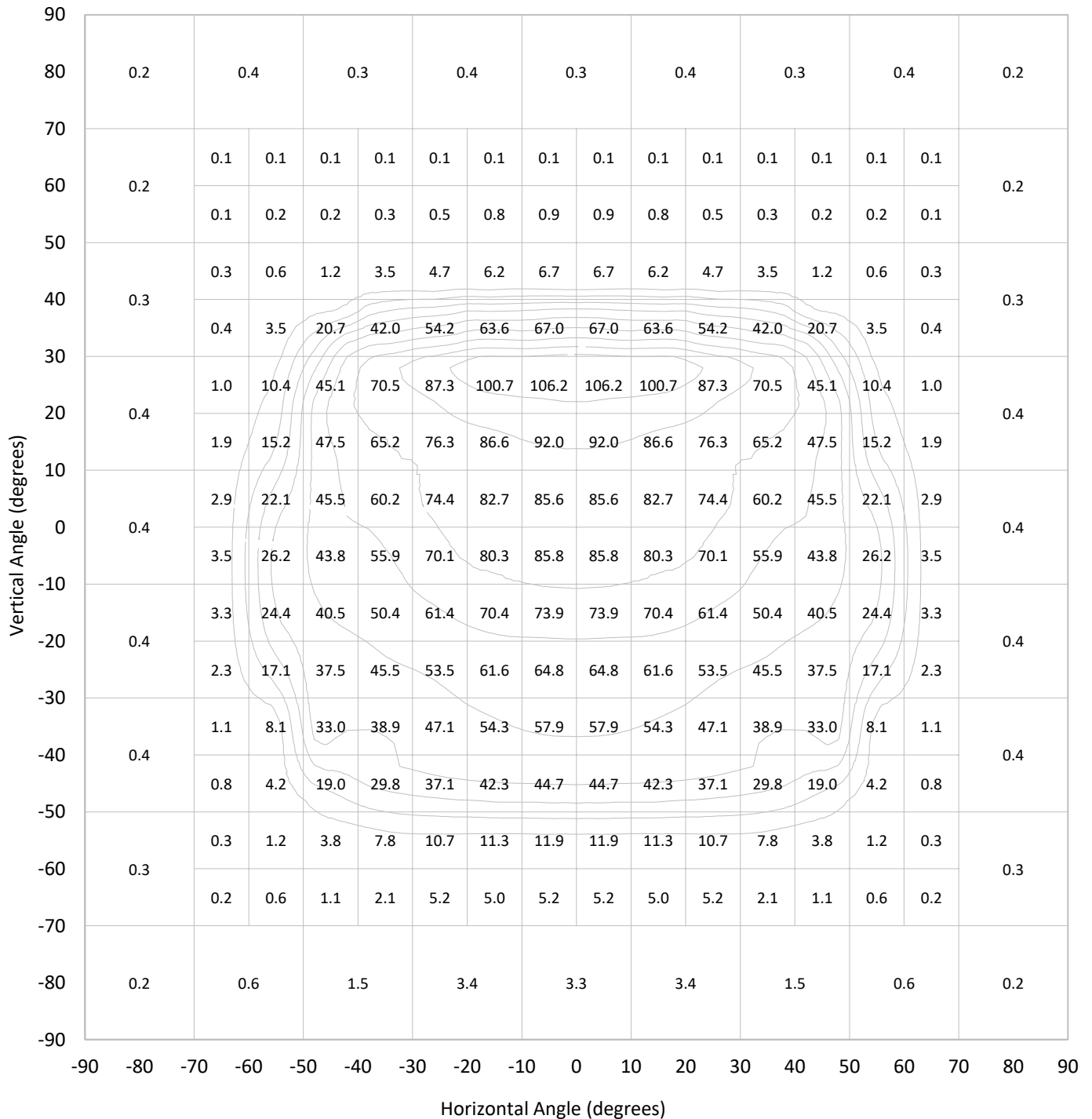
Iso-Candela Plot





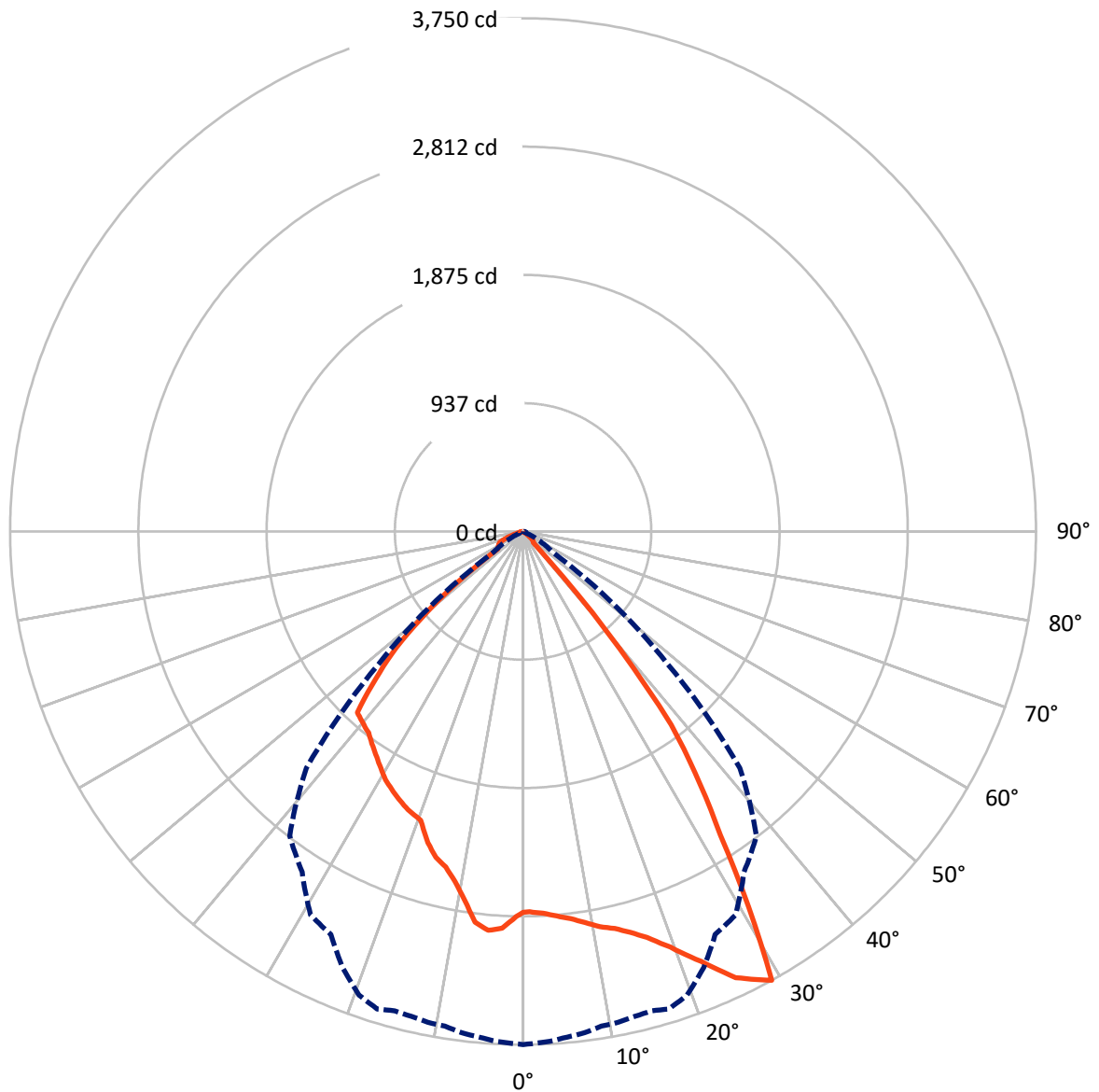
REPORT NUMBER: P571713
 CATALOG NUMBER: UFLD-S-CA1-50-760-U-66-TS2LW_NFFLD

Lumen Table



REPORT NUMBER: P571713
CATALOG NUMBER: UFLD-S-CA1-50-760-U-66-TS2LW_NFFLD

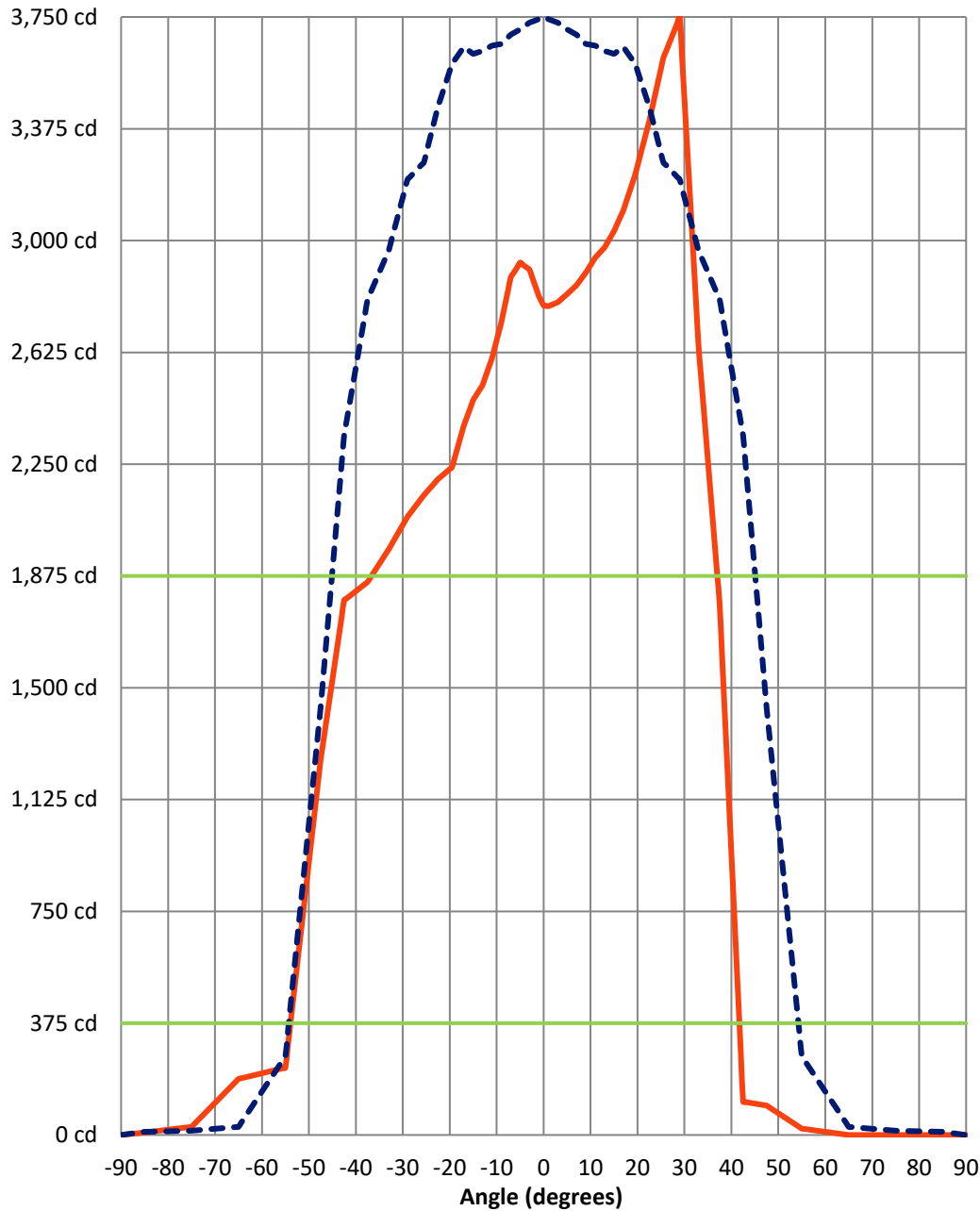
Luminous Intensity Polar Plot



— Vertical Distribution Through 0-Deg - - - Horizontal Distribution Through 29-Deg

REPORT NUMBER: P571713
 CATALOG NUMBER: UFLD-S-CA1-50-760-U-66-TS2LW_NFFLD

Luminous Intensity Plot



Beam:
 H Angle: 90.2°
 V Angle: 73.7°
 Lumens: 4224.3
 Efficiency: 72.3%

Field:
 H Angle: 108.6°
 V Angle: 95.6°
 Lumens: 5688.1
 Efficiency: 97.3%

Spill:
 Lumens: 157.9
 Efficiency: 2.7%

— Vertical Distribution through 0-Deg
 - - - Horizontal Distribution through 29-Deg



REPORT NUMBER: P571713
 CATALOG NUMBER: UFLD-S-CA1-50-760-U-66-TS2LW_NFFLD

FIELD
 BEAM

CANDELA DISTRIBUTION:

| | 0° | 1° | 3° | 5° | 7° | 9° | 11° | 13° | 15° | 17° | 19.5° |
|--------|--------|--------|--------|--------|--------|--------|--------|--------|--------|--------|--------|
| 90° | 0.0 | 0.0 | 0.0 | 0.0 | 0.0 | 0.0 | 0.0 | 0.0 | 0.0 | 0.0 | 0.0 |
| 85° | 0.0 | 1.2 | 3.6 | 3.6 | 3.6 | 3.6 | 4.8 | 4.8 | 4.8 | 4.8 | 4.8 |
| 75° | 0.0 | 1.2 | 1.2 | 2.4 | 3.6 | 3.6 | 3.6 | 3.6 | 3.6 | 3.6 | 2.4 |
| 65° | 0.0 | 0.0 | 1.2 | 1.2 | 2.4 | 2.4 | 2.4 | 2.4 | 2.4 | 2.4 | 2.4 |
| 55° | 21.4 | 21.4 | 21.4 | 21.4 | 21.4 | 21.4 | 22.6 | 21.4 | 20.2 | 20.2 | 20.2 |
| 47.5° | 98.7 | 98.7 | 98.7 | 93.9 | 90.4 | 89.2 | 86.8 | 82.0 | 79.7 | 82.0 | 79.7 |
| 42.5° | 111.8 | 114.1 | 130.8 | 155.8 | 177.2 | 193.8 | 193.8 | 178.3 | 140.3 | 116.5 | 187.9 |
| 37.5° | 1779.9 | 1764.4 | 1787.0 | 1741.8 | 1712.1 | 1668.1 | 1655.0 | 1637.2 | 1620.5 | 1639.6 | 1664.5 |
| 33° | 2647.8 | 2619.3 | 2649.0 | 2587.1 | 2566.9 | 2525.3 | 2549.1 | 2600.2 | 2612.1 | 2619.3 | 2564.6 |
| 29° | 3749.9 | 3742.8 | 3730.9 | 3708.3 | 3690.5 | 3659.6 | 3653.6 | 3635.8 | 3626.3 | 3648.9 | 3593.0 |
| 25.5° | 3612.0 | 3615.6 | 3600.1 | 3584.7 | 3565.7 | 3571.6 | 3556.1 | 3540.7 | 3524.0 | 3489.6 | 3420.6 |
| 22.5° | 3400.4 | 3408.7 | 3393.3 | 3370.7 | 3356.4 | 3352.8 | 3337.4 | 3319.5 | 3304.1 | 3292.2 | 3245.8 |
| 19.5° | 3220.9 | 3224.4 | 3218.5 | 3206.6 | 3195.9 | 3182.8 | 3159.0 | 3132.9 | 3109.1 | 3103.2 | 3081.8 |
| 17° | 3102.0 | 3105.5 | 3100.8 | 3091.3 | 3080.6 | 3061.5 | 3038.9 | 3009.2 | 2985.4 | 2966.4 | 2934.3 |
| 15° | 3031.8 | 3034.2 | 3030.6 | 3021.1 | 3008.0 | 2993.8 | 2975.9 | 2952.2 | 2926.0 | 2897.5 | 2858.2 |
| 13° | 2977.1 | 2979.5 | 2975.9 | 2965.2 | 2953.3 | 2939.1 | 2923.6 | 2903.4 | 2880.8 | 2855.9 | 2822.6 |
| 11° | 2942.6 | 2943.8 | 2937.9 | 2929.6 | 2916.5 | 2902.2 | 2885.6 | 2863.0 | 2846.3 | 2832.1 | 2813.0 |
| 9° | 2892.7 | 2893.9 | 2891.5 | 2884.4 | 2878.4 | 2864.2 | 2851.1 | 2833.3 | 2820.2 | 2815.4 | 2809.5 |
| 7° | 2849.9 | 2851.1 | 2851.1 | 2842.8 | 2836.8 | 2827.3 | 2816.6 | 2802.3 | 2795.2 | 2798.8 | 2804.7 |
| 5° | 2820.2 | 2822.6 | 2821.4 | 2814.2 | 2809.5 | 2803.5 | 2797.6 | 2788.1 | 2779.8 | 2792.8 | 2809.5 |
| 3° | 2792.8 | 2792.8 | 2795.2 | 2791.6 | 2790.5 | 2791.6 | 2792.8 | 2789.3 | 2786.9 | 2804.7 | 2827.3 |
| 1° | 2779.8 | 2779.8 | 2784.5 | 2785.7 | 2789.3 | 2796.4 | 2810.7 | 2820.2 | 2822.6 | 2816.6 | 2896.3 |
| 0° | 2782.1 | 2782.1 | 2789.3 | 2798.8 | 2809.5 | 2824.9 | 2836.8 | 2842.8 | 2836.8 | 2815.4 | 3042.5 |
| -1° | 2813.0 | 2809.5 | 2814.2 | 2830.9 | 2842.8 | 2857.0 | 2860.6 | 2855.9 | 2839.2 | 2808.3 | 2847.5 |
| -3° | 2902.2 | 2904.6 | 2903.4 | 2905.8 | 2905.8 | 2902.2 | 2883.2 | 2848.7 | 2811.9 | 2770.2 | 2737.0 |
| -5° | 2926.0 | 2933.1 | 2926.0 | 2917.7 | 2910.5 | 2879.6 | 2844.0 | 2794.0 | 2727.4 | 2688.2 | 2654.9 |
| -7° | 2876.1 | 2865.4 | 2859.4 | 2841.6 | 2817.8 | 2770.2 | 2725.1 | 2673.9 | 2637.1 | 2626.4 | 2618.1 |
| -9° | 2726.3 | 2717.9 | 2714.4 | 2706.0 | 2690.6 | 2657.3 | 2638.3 | 2618.1 | 2605.0 | 2605.0 | 2595.5 |
| -11° | 2605.0 | 2600.2 | 2597.8 | 2589.5 | 2587.1 | 2571.7 | 2569.3 | 2562.2 | 2551.5 | 2551.5 | 2534.8 |
| -13° | 2515.8 | 2515.8 | 2515.8 | 2512.2 | 2503.9 | 2498.0 | 2496.8 | 2490.8 | 2477.8 | 2473.0 | 2448.0 |
| -15° | 2464.7 | 2465.9 | 2461.1 | 2456.4 | 2445.7 | 2438.5 | 2431.4 | 2421.9 | 2405.2 | 2392.2 | 2360.1 |
| -17° | 2379.1 | 2373.1 | 2377.9 | 2368.4 | 2368.4 | 2361.2 | 2358.9 | 2354.1 | 2337.5 | 2318.4 | 2279.2 |
| -19.5° | 2240.0 | 2241.2 | 2238.8 | 2231.7 | 2228.1 | 2226.9 | 2225.7 | 2218.6 | 2200.7 | 2180.5 | 2149.6 |
| -22.5° | 2199.6 | 2198.4 | 2194.8 | 2190.0 | 2186.5 | 2182.9 | 2184.1 | 2180.5 | 2163.9 | 2143.7 | 2112.8 |
| -25.5° | 2146.0 | 2144.9 | 2141.3 | 2135.3 | 2128.2 | 2121.1 | 2123.5 | 2118.7 | 2105.6 | 2089.0 | 2062.8 |
| -29° | 2073.5 | 2070.0 | 2066.4 | 2061.6 | 2049.7 | 2031.9 | 2018.8 | 2008.1 | 1993.9 | 1980.8 | 1951.1 |
| -33° | 1964.1 | 1963.0 | 1963.0 | 1958.2 | 1947.5 | 1933.2 | 1917.8 | 1902.3 | 1882.1 | 1861.9 | 1827.4 |
| -37.5° | 1854.8 | 1854.8 | 1854.8 | 1852.4 | 1847.6 | 1840.5 | 1832.2 | 1817.9 | 1797.7 | 1773.9 | 1741.8 |
| -42.5° | 1792.9 | 1791.7 | 1792.9 | 1787.0 | 1779.9 | 1770.3 | 1763.2 | 1750.1 | 1734.7 | 1722.8 | 1703.8 |
| -47.5° | 1257.9 | 1238.9 | 1249.6 | 1252.0 | 1229.4 | 1235.3 | 1232.9 | 1234.1 | 1225.8 | 1203.2 | 1183.0 |
| -55° | 225.9 | 225.9 | 228.3 | 231.8 | 229.5 | 223.5 | 216.4 | 216.4 | 224.7 | 228.3 | 223.5 |
| -65° | 187.9 | 187.9 | 187.9 | 186.7 | 186.7 | 185.5 | 185.5 | 185.5 | 185.5 | 185.5 | 191.4 |
| -75° | 27.3 | 26.2 | 27.3 | 27.3 | 25.0 | 26.2 | 29.7 | 29.7 | 29.7 | 29.7 | 29.7 |
| -85° | 8.3 | 8.3 | 8.3 | 11.9 | 13.1 | 14.3 | 14.3 | 15.5 | 15.5 | 14.3 | 14.3 |
| -90° | 0.0 | 0.0 | 0.0 | 0.0 | 0.0 | 0.0 | 0.0 | 0.0 | 0.0 | 0.0 | 0.0 |



REPORT NUMBER: P571713

CATALOG NUMBER: UFLD-S-CA1-50-760-U-66-TS2LW_NFFLD

CANDELA DISTRIBUTION (continued):

| | 22.5° | 25.5° | 29° | 33° | 37.5° | 42.5° | 47.5° | 55° | 65° | 75° | 85° |
|--------|--------|--------|--------|--------|--------|--------|--------|--------|------|------|------|
| 90° | 0.0 | 0.0 | 0.0 | 0.0 | 0.0 | 0.0 | 0.0 | 0.0 | 0.0 | 0.0 | 0.0 |
| 85° | 4.8 | 4.8 | 4.8 | 3.6 | 3.6 | 4.8 | 4.8 | 5.9 | 8.3 | 9.5 | 9.5 |
| 75° | 2.4 | 2.4 | 2.4 | 2.4 | 3.6 | 4.8 | 4.8 | 5.9 | 8.3 | 9.5 | 10.7 |
| 65° | 2.4 | 2.4 | 2.4 | 2.4 | 2.4 | 3.6 | 4.8 | 7.1 | 8.3 | 9.5 | 10.7 |
| 55° | 17.8 | 13.1 | 9.5 | 10.7 | 13.1 | 9.5 | 7.1 | 8.3 | 9.5 | 10.7 | 10.7 |
| 47.5° | 64.2 | 39.2 | 25.0 | 22.6 | 25.0 | 19.0 | 15.5 | 15.5 | 20.2 | 10.7 | 10.7 |
| 42.5° | 181.9 | 69.0 | 126.0 | 137.9 | 118.9 | 38.0 | 53.5 | 41.6 | 23.8 | 11.9 | 10.7 |
| 37.5° | 1520.7 | 1446.9 | 1407.7 | 1301.9 | 1115.2 | 466.1 | 341.2 | 57.1 | 25.0 | 11.9 | 10.7 |
| 33° | 2393.4 | 2332.7 | 2256.6 | 2103.2 | 2084.2 | 1770.3 | 965.4 | 117.7 | 25.0 | 13.1 | 10.7 |
| 29° | 3449.1 | 3262.5 | 3204.2 | 2966.4 | 2802.3 | 2345.8 | 1433.9 | 263.9 | 27.3 | 14.3 | 10.7 |
| 25.5° | 3325.5 | 3211.3 | 3084.1 | 2954.5 | 2817.8 | 2477.8 | 1756.1 | 384.0 | 30.9 | 14.3 | 10.7 |
| 22.5° | 3146.0 | 3031.8 | 2923.6 | 2828.5 | 2750.0 | 2562.2 | 2009.3 | 476.8 | 35.7 | 14.3 | 10.7 |
| 19.5° | 3002.1 | 2902.2 | 2803.5 | 2712.0 | 2675.1 | 2568.1 | 2093.7 | 550.5 | 42.8 | 14.3 | 10.7 |
| 17° | 2861.8 | 2783.3 | 2712.0 | 2649.0 | 2635.9 | 2495.6 | 2081.8 | 614.7 | 54.7 | 15.5 | 10.7 |
| 15° | 2784.5 | 2708.4 | 2657.3 | 2632.3 | 2606.2 | 2405.2 | 2066.4 | 677.7 | 61.8 | 15.5 | 10.7 |
| 13° | 2744.1 | 2666.8 | 2631.1 | 2639.5 | 2556.2 | 2343.4 | 2045.0 | 777.6 | 69.0 | 15.5 | 10.7 |
| 11° | 2739.3 | 2653.7 | 2630.0 | 2605.0 | 2496.8 | 2322.0 | 2029.5 | 898.8 | 72.5 | 15.5 | 10.7 |
| 9° | 2753.6 | 2677.5 | 2627.6 | 2538.4 | 2445.7 | 2314.9 | 2018.8 | 1039.1 | 73.7 | 16.6 | 11.9 |
| 7° | 2765.5 | 2693.0 | 2625.2 | 2479.0 | 2393.4 | 2295.9 | 2001.0 | 1168.7 | 71.3 | 16.6 | 11.9 |
| 5° | 2783.3 | 2704.9 | 2619.3 | 2432.6 | 2350.5 | 2274.5 | 1985.5 | 1299.5 | 67.8 | 16.6 | 11.9 |
| 3° | 2779.8 | 2681.1 | 2596.7 | 2388.6 | 2314.9 | 2257.8 | 1973.7 | 1413.7 | 66.6 | 16.6 | 11.9 |
| 1° | 2752.4 | 2639.5 | 2545.5 | 2355.3 | 2278.0 | 2232.8 | 1967.7 | 1510.0 | 66.6 | 17.8 | 11.9 |
| 0° | 2737.0 | 2615.7 | 2514.6 | 2339.8 | 2259.0 | 2221.0 | 1965.3 | 1552.8 | 65.4 | 17.8 | 11.9 |
| -1° | 2710.8 | 2584.8 | 2495.6 | 2325.6 | 2242.4 | 2204.3 | 1960.6 | 1584.9 | 65.4 | 17.8 | 11.9 |
| -3° | 2646.6 | 2534.8 | 2462.3 | 2294.7 | 2213.8 | 2177.0 | 1957.0 | 1627.7 | 66.6 | 17.8 | 11.9 |
| -5° | 2599.0 | 2513.4 | 2435.0 | 2267.3 | 2192.4 | 2148.4 | 1947.5 | 1649.1 | 67.8 | 17.8 | 11.9 |
| -7° | 2578.8 | 2492.0 | 2404.1 | 2231.7 | 2159.1 | 2112.8 | 1936.8 | 1652.6 | 67.8 | 17.8 | 11.9 |
| -9° | 2549.1 | 2455.2 | 2356.5 | 2186.5 | 2117.5 | 2068.8 | 1926.1 | 1641.9 | 69.0 | 19.0 | 11.9 |
| -11° | 2480.1 | 2380.3 | 2282.8 | 2138.9 | 2071.1 | 2014.1 | 1899.9 | 1622.9 | 69.0 | 19.0 | 11.9 |
| -13° | 2388.6 | 2292.3 | 2203.1 | 2085.4 | 2024.8 | 1967.7 | 1875.0 | 1584.9 | 69.0 | 19.0 | 11.9 |
| -15° | 2294.7 | 2203.1 | 2128.2 | 2039.0 | 1985.5 | 1927.3 | 1852.4 | 1526.6 | 69.0 | 19.0 | 11.9 |
| -17° | 2205.5 | 2115.1 | 2053.3 | 1991.5 | 1945.1 | 1888.0 | 1826.2 | 1450.5 | 70.1 | 19.0 | 11.9 |
| -19.5° | 2086.6 | 2015.3 | 1971.3 | 1934.4 | 1892.8 | 1840.5 | 1798.9 | 1331.6 | 69.0 | 17.8 | 11.9 |
| -22.5° | 2042.6 | 1973.7 | 1934.4 | 1897.6 | 1852.4 | 1800.1 | 1779.9 | 1139.0 | 65.4 | 17.8 | 11.9 |
| -25.5° | 1986.7 | 1915.4 | 1871.4 | 1840.5 | 1815.5 | 1765.6 | 1776.3 | 909.5 | 63.0 | 17.8 | 11.9 |
| -29° | 1883.3 | 1825.0 | 1781.0 | 1747.8 | 1726.4 | 1716.8 | 1784.6 | 611.1 | 65.4 | 16.6 | 11.9 |
| -33° | 1775.1 | 1721.6 | 1665.7 | 1614.6 | 1581.3 | 1602.7 | 1762.0 | 240.2 | 67.8 | 16.6 | 11.9 |
| -37.5° | 1699.0 | 1647.9 | 1584.9 | 1507.6 | 1435.1 | 1431.5 | 1611.0 | 123.7 | 70.1 | 16.6 | 11.9 |
| -42.5° | 1655.0 | 1617.0 | 1554.0 | 1488.6 | 1389.9 | 1188.9 | 1125.9 | 153.4 | 67.8 | 15.5 | 11.9 |
| -47.5° | 1171.1 | 1139.0 | 1108.1 | 1057.0 | 977.3 | 764.5 | 512.4 | 102.2 | 53.5 | 13.1 | 10.7 |
| -55° | 241.4 | 239.0 | 247.3 | 235.4 | 141.5 | 76.1 | 104.6 | 45.2 | 16.6 | 13.1 | 10.7 |
| -65° | 210.4 | 231.8 | 174.8 | 95.1 | 32.1 | 40.4 | 58.3 | 34.5 | 13.1 | 11.9 | 10.7 |
| -75° | 28.5 | 27.3 | 20.2 | 20.2 | 22.6 | 21.4 | 15.5 | 10.7 | 10.7 | 10.7 | 10.7 |
| -85° | 13.1 | 11.9 | 11.9 | 10.7 | 10.7 | 9.5 | 9.5 | 8.3 | 9.5 | 10.7 | 10.7 |
| -90° | 0.0 | 0.0 | 0.0 | 0.0 | 0.0 | 0.0 | 0.0 | 0.0 | 0.0 | 0.0 | 0.0 |



REPORT NUMBER: P571713
CATALOG NUMBER: UFLD-S-CA1-50-760-U-66-TS2LW_NFFLD

CANDELA DISTRIBUTION (continued):

| | 90° |
|--------|-----|
| 90° | 0.0 |
| 85° | 0.0 |
| 75° | 0.0 |
| 65° | 0.0 |
| 55° | 0.0 |
| 47.5° | 0.0 |
| 42.5° | 0.0 |
| 37.5° | 0.0 |
| 33° | 0.0 |
| 29° | 0.0 |
| 25.5° | 0.0 |
| 22.5° | 0.0 |
| 19.5° | 0.0 |
| 17° | 0.0 |
| 15° | 0.0 |
| 13° | 0.0 |
| 11° | 0.0 |
| 9° | 0.0 |
| 7° | 0.0 |
| 5° | 0.0 |
| 3° | 0.0 |
| 1° | 0.0 |
| 0° | 0.0 |
| -1° | 0.0 |
| -3° | 0.0 |
| -5° | 0.0 |
| -7° | 0.0 |
| -9° | 0.0 |
| -11° | 0.0 |
| -13° | 0.0 |
| -15° | 0.0 |
| -17° | 0.0 |
| -19.5° | 0.0 |
| -22.5° | 0.0 |
| -25.5° | 0.0 |
| -29° | 0.0 |
| -33° | 0.0 |
| -37.5° | 0.0 |
| -42.5° | 0.0 |
| -47.5° | 0.0 |
| -55° | 0.0 |
| -65° | 0.0 |
| -75° | 0.0 |
| -85° | 0.0 |
| -90° | 0.0 |

(END OF REPORT)